

ULTRA MINIATURE CERAMIC SMD CRYSTAL



ABM13

1.2 x 1.0 x 0.28mm

ABM13



RoHS/RoHS II compliant

Moisture Sensitivity Level (MSL)

– This product is Hermetically Sealed and not Moisture Sensitive - MSL = N/A: Not Applicable

FEATURES:

- Suitable for RoHS reflow profile
- Available tight tolerance and stability
- Electron beam sealed ceramic package assures high precision and reliability
- Smallest package size in industry 1.2x1.0x0.28mm

APPLICATIONS:

- Mobile phone, W-LAN, Bluetooth, Tuner Module
- Computers, Modems, Microprocessors
- Communication, Test equipment
- High density applications
- PCMCIA
- Portable radios and MP3 players

STANDARD SPECIFICATIONS:

Parameters	Minimum	Typical	Maximum	Units	Notes
Frequency Range	36.000		80.000	MHz	
Standard Frequency	37.400MHZ, 38.000MHZ, 40.000MHZ, 48.000MHZ, 52.000MHZ, 58.400MHZ, 64.000MHZ and 80.000MHZ			MHz	
Operation Mode	Fundamental				
Operating Temperature	0		+50	°C	See options
Storage Temperature	-40		+85	°C	
Frequency Tolerance @+25°C	-50		+50	ppm	See options
Frequency Stability over the Operating Temperature (ref. to +25°C)	-50		+50	ppm	See options
Equivalent Series Resistance			200	Ω	
Load capacitance (CL)		7		pF	Standard (See options if other than STD)
Drive Level		10	100	μW	

ULTRA MINIATURE CERAMIC SMD CRYSTAL



ABM13

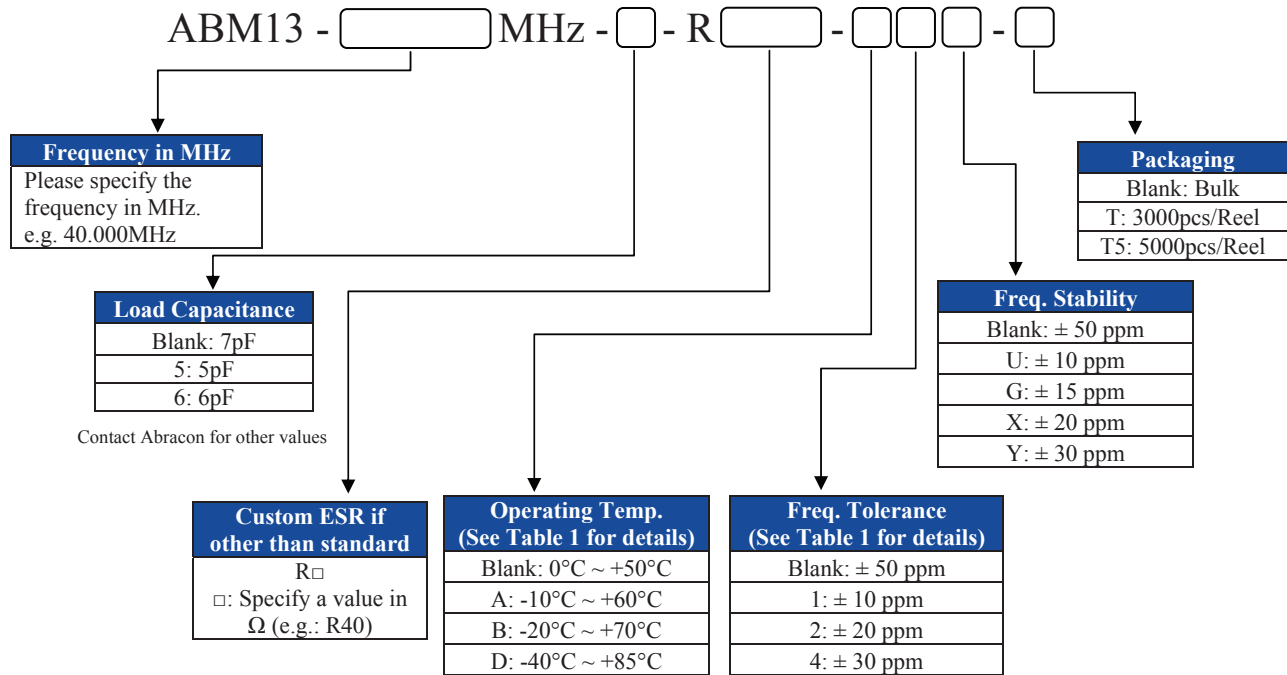
1.2 x 1.0 x 0.28mm

ABM13



RoHS/RoHS II compliant

OPTIONS & PART IDENTIFICATION: (Left blank if standard)

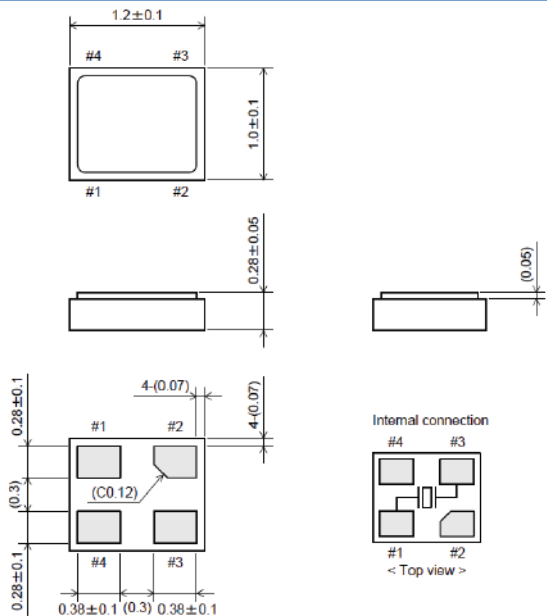


Note: See Table 1 for the availability of Operating Temp. and Freq. Stability combinations.

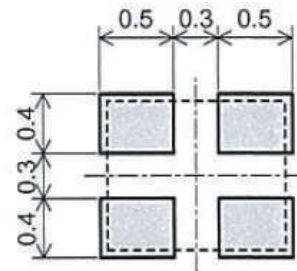
Table 1 Available Combinations of Operating Temp. and Freq. Stability

Operating Temp.	Freq. Stability				
	U:±10ppm	G:±15ppm	X:±20ppm	Y:±30ppm	Std:±50ppm
Std: 0°C ~ +50°C	√	√	√	√	√
A: -10°C ~ +60°C		√	√	√	√
B: -20°C ~ +70°C			√	√	√
D: -40°C ~ +85°C				√	√

OUTLINE DRAWING:



Recommended Land Pattern



Note:
Pin 2 is connected to the metal lid.
(Please connect to GND)
Pin 4: No connection

Dimensions: mm

ULTRA MINIATURE CERAMIC SMD CRYSTAL



ABM13

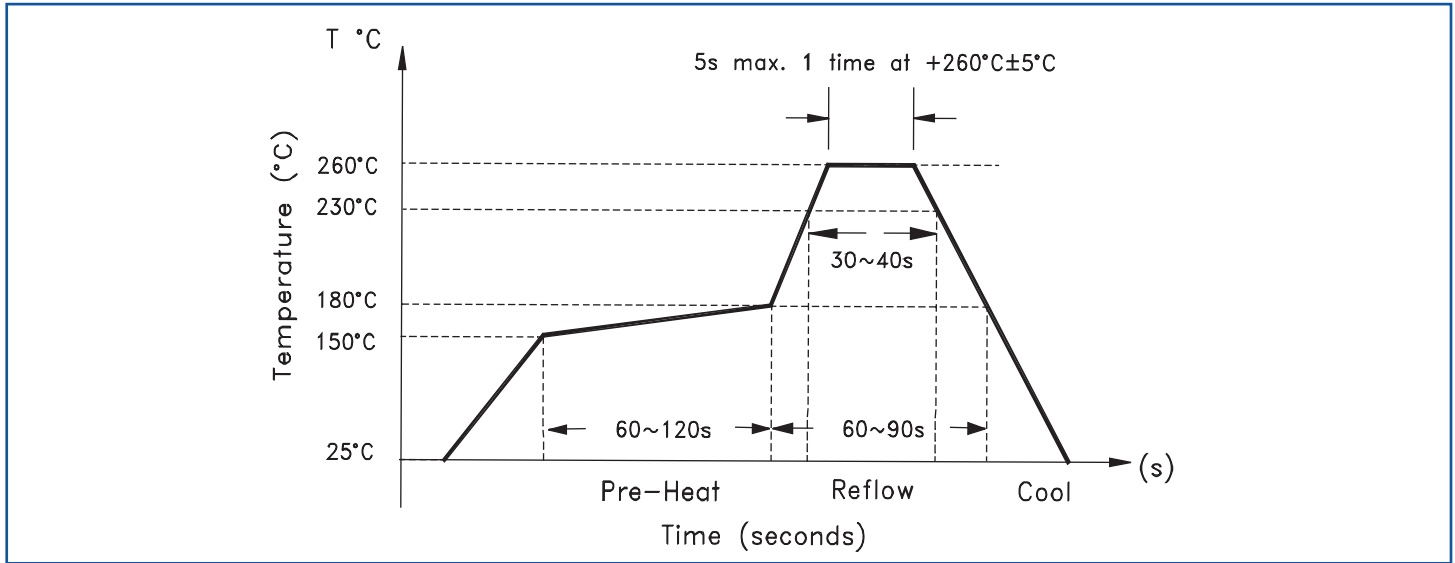
1.2 x 1.0 x 0.28mm

ABM13



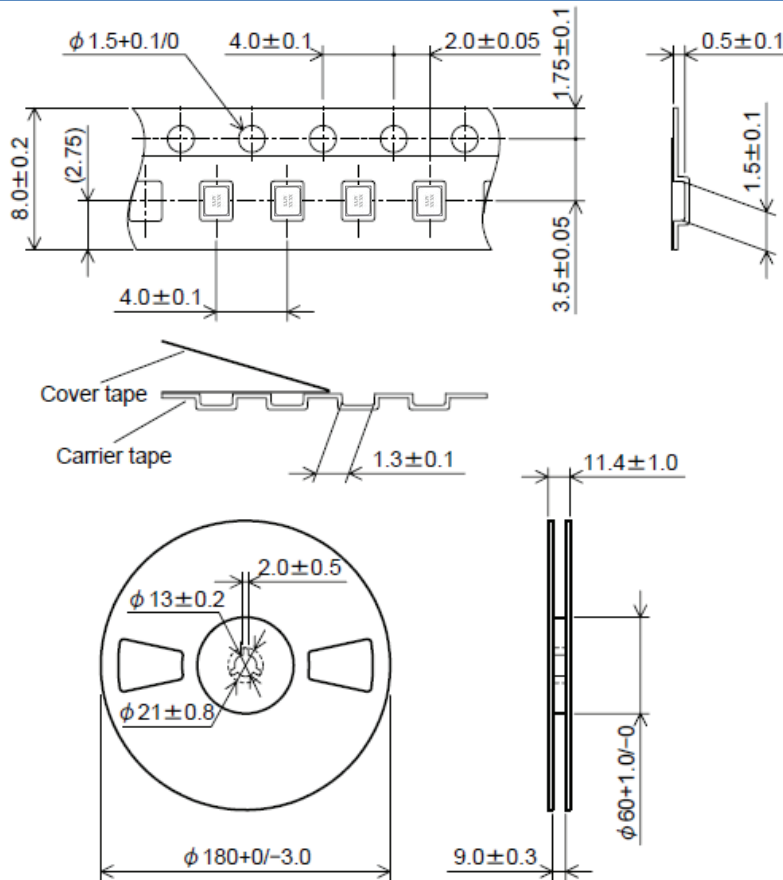
RoHS/RoHS II compliant

REFLOW PROFILE:



TAPE & REEL:

T: 3000pcs/reel
T5: 5000pcs/reel



Dimensions: mm



Need a test socket for the ABM12 Series? To view compatible **PRECISION TEST & BURN-IN SOCKETS** for these parts, [click here](#). P/N AXS-1612-04-01C

ATTENTION Abracon Corporation's products are COTS – Commercial-Off-The-Shelf products; suitable for Commercial, Industrial and, where designated, Automotive Applications. Abracon's products are not specifically designed for Military, Aviation, Aerospace, Life-dependant Medical applications or any application requiring high reliability where component failure could result in loss of life and/or property. For applications requiring high reliability and/or presenting an extreme operating environment, written consent and authorization from Abracon Corporation is required. Please contact Abracon Corporation for more information.

ABRACON IS
ISO9001:2008
CERTIFIED



2 Faraday, Suite# B | Irvine | CA 92618 **Revised: 07.09.15**

Ph. 949.546.8000 | Fax. 949.546.8001

Visit www.abracon.com for Terms and Conditions of Sale